

S 翻燒爐加檯 SALAMANDER BROILER & TABLE



WWT Series / Item# _____



MEA
499-90E

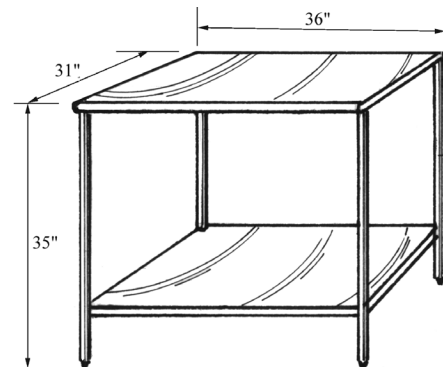
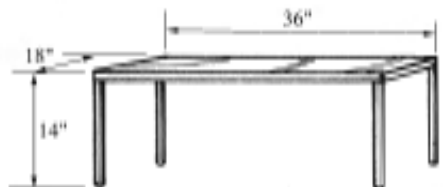
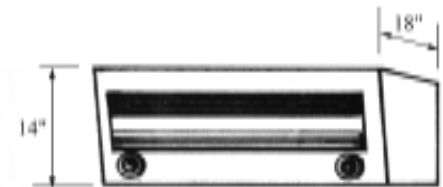
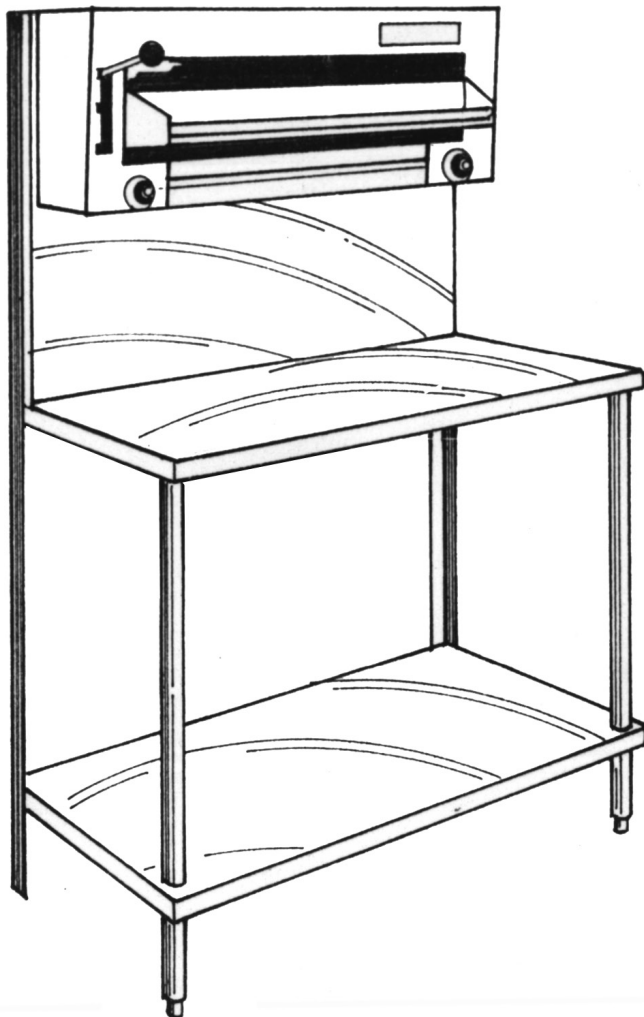
SALAMANDER UNIT BY



Features:

SALAMANDER BROILER BY SOUTHBEND, IMPERIAL OR GARLAND

- Stainless steel front, sides and back splash.
- Two atmospheric infra-red burners.
- Individual Hi-Lo valve controls.
- Large capacity removable grease pan.
- LOWER-TABLE(Custom-made by WIN)
- Sturdy lower shelf is provided.
- Stainless steel work table.



The manufacturer reserves the rights to modify materials and specifications without notice.

42-38 Northern Blvd., L.I.C., NY 11101
Tel: 718-433-1999 Fax: 718-433-0700

318 Lafayette St., New York, NY 10012
Tel: 212-431-1998 Fax: 212-966-3333

info@winsupply.com
www.winsupply.com

S 翻燒爐加檯 SALAMANDER BROILER & TABLE



WWT Series / Item# _____

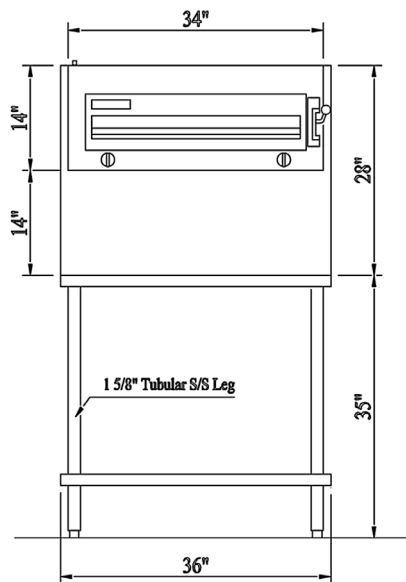


MEA
499-90E

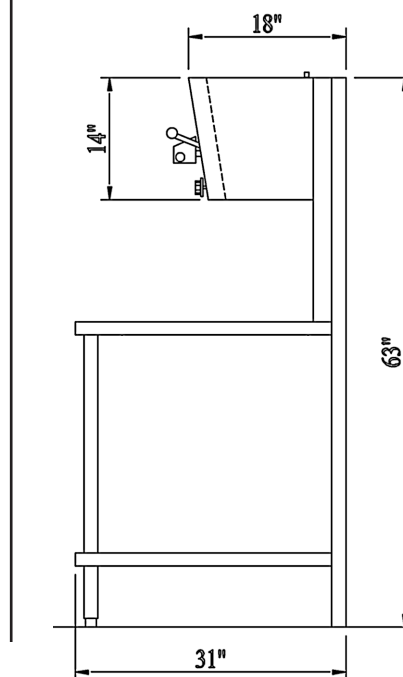
SALAMANDER UNIT BY



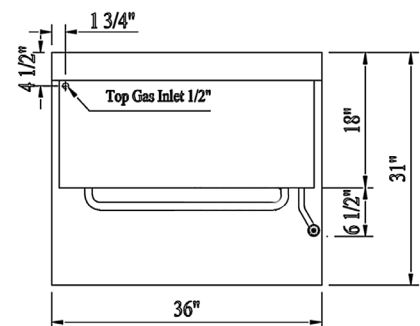
FRONT VIEW



SIDE VIEW



TOP VIEW



(Shown: Model WCT-3631) All Dimensions are Typical.

Item	Model#	Manufacture	W x D x H	Gas Input	Burners #	Ship. Wgt.
Upper	IR36-280	GARLAND	36"x18"x31"	40,000	2	145lbs
Salamander	MRA-36	SOUTHBEND	36"x22.5"x27"	32,000	2	190lbs
Broiler	ISB-36	IMPERIAL	25"x23"x39"	35,000	2	210lbs
Lower-Table (With Burners)	WCT-3631	WIN	36"x31"x63"	32,000	2	190lbs
Lower-Table	WWT-3631	WIN	36"x31"x63"			190lbs

The manufacturer reserves the rights to modify materials and specifications without notice.