

# W 通風系統 WIN HOOD AND DUCT

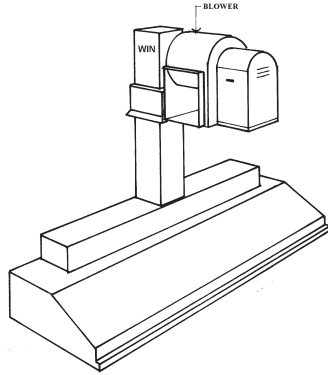


WH Series / Item# \_\_\_\_\_



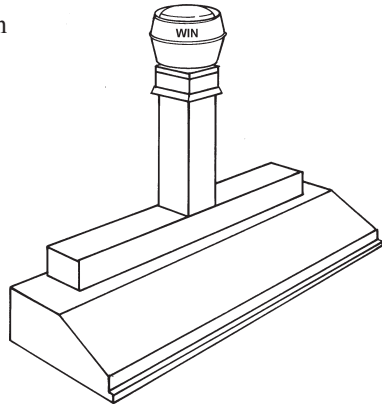
## 煙罩和馬蹄型抽風機

Hood with exhaust fan



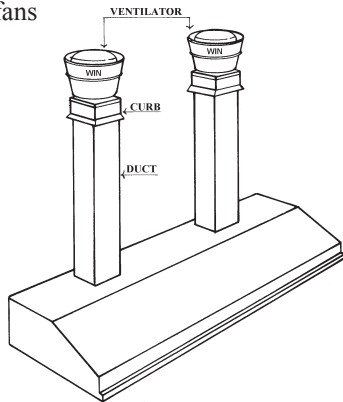
## 煙罩和蘑菇型抽風機

Hood with exhaust fan



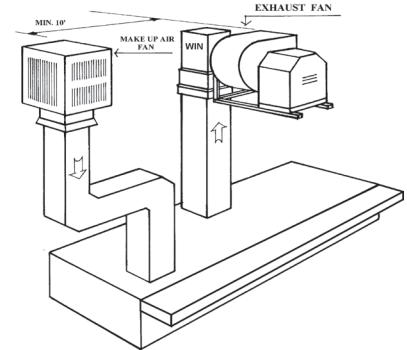
## 煙罩和雙蘑菇型抽風機

Hood with twin exhaust fans



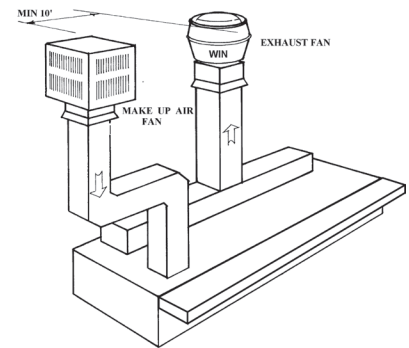
## 煙罩和馬蹄型抽風機和回風機

Hood with exhaust fan & make-up air fan



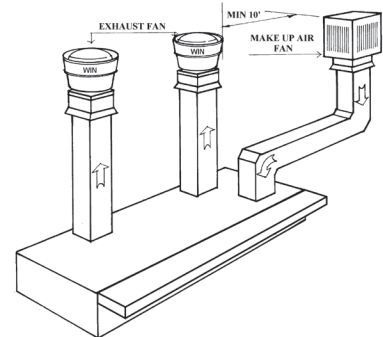
## 煙罩和单蘑菇型抽風機和回風機

Hood with exhaust fan & make-up air fan



## 煙罩和雙蘑菇型抽風機和回風機

Hood with twin exhaust fans & make-up air fan



The manufacturer reserves the rights to modify materials and specifications without notice.

# W 通風系統 WIN HOOD AND DUCT

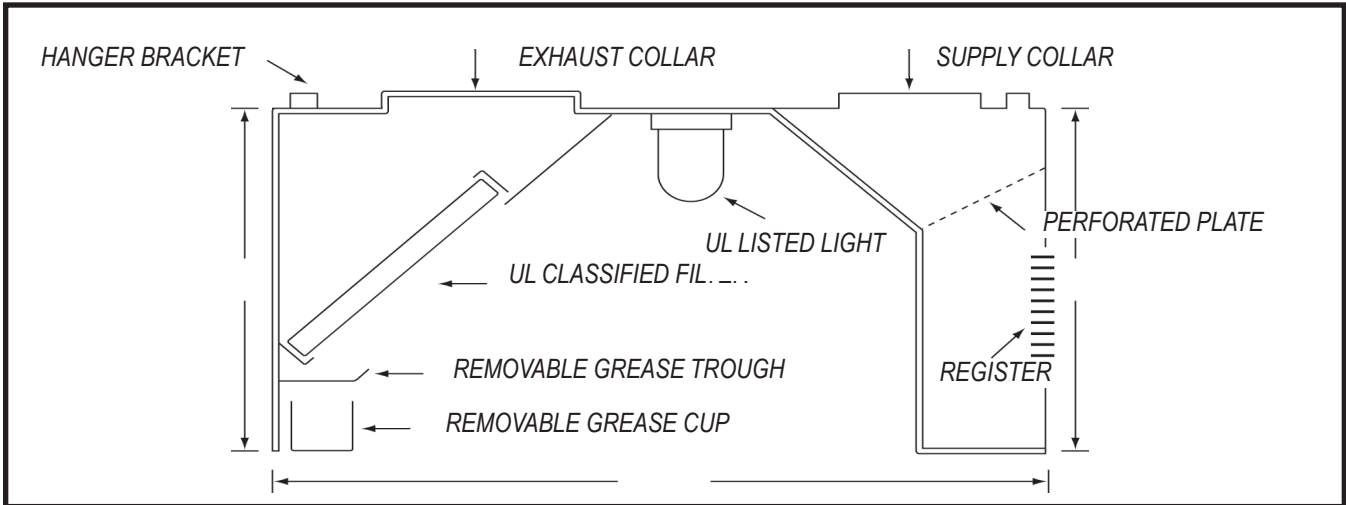


**WH Series / Item#** \_\_\_\_\_

**Model:** \_\_\_\_\_

(Register Front)

All Hoods Built In Accordance With : NFPA-96. UL-NSF



<b>HOOD SIZE</b>		<b>CFM REQUIREMENTS</b>		<b>CFM REQUIREMENTS</b>	
QTY: L _____ x W _____ x H _____	EXHAUST _____ S.P.	<input type="checkbox"/> WALL	<input type="checkbox"/> END TO END		
L _____ x W _____ x H _____	SUPPLY _____ S.P.				
L _____ x W _____ x H _____	OTHER _____				
<b>MATERIAL REQUIREMENT</b>					
<input type="checkbox"/> ALL S/S	<input type="checkbox"/> S/S WHERE EXPOSED	<input type="checkbox"/> ALUMINIZED	<input type="checkbox"/> TRI BLEND		
TYPE _____	TYPE _____	GAUGE _____	GAUGE _____		
GAUGE _____	GAUGE _____				
POLISH _____	GAUGE _____	OTHER _____			
<b>FILTERS</b>		<b>LIGHT</b>		<b>COLLARS</b>	
<input type="checkbox"/> ALUMINIUM	<input type="checkbox"/> NONE QUANTITY _____	<input type="checkbox"/> NONE	<b>CONTROLS</b>		
<input type="checkbox"/> S/S	<input type="checkbox"/> INCANDESCENT	<input type="checkbox"/> EXHAUST	<input type="checkbox"/> 1 SW VOLTS _____ PH		
OTHER _____	<input type="checkbox"/> RECESSED	<input type="checkbox"/> SUPPLY	<input type="checkbox"/> 2 SW CONTACTORS		
	<input type="checkbox"/> FLUORESCENT	<input type="checkbox"/> OTHER	<input type="checkbox"/> 3 SW STARTERS		
<b>ACCESSORIES</b>					
<input type="checkbox"/> VOLUME DAMPER	<input type="checkbox"/> STAND OFF <input type="checkbox"/> 3" <input type="checkbox"/> 4" <input type="checkbox"/> 6"	<input type="checkbox"/> FIRE CABINET	<input type="checkbox"/> RIGHT SIDE	<input type="checkbox"/> LEFT SIDE	
<input type="checkbox"/> FINISH BACK	<input type="checkbox"/> DOUBLE WALL CONSTRUCTION	<input type="checkbox"/> WALL SPLASH PANEL			
<input type="checkbox"/> INSULATED FULL		<input type="checkbox"/> CLG TRIM PANEL			
<input type="checkbox"/> INSULATED FRONT		<input type="checkbox"/> OTHER			

DATE \_\_\_\_\_ / \_\_\_\_\_ / \_\_\_\_\_ JOB \_\_\_\_\_

LOCATION \_\_\_\_\_ NOTE \_\_\_\_\_

The manufacturer reserves the rights to modify materials and specifications without notice.

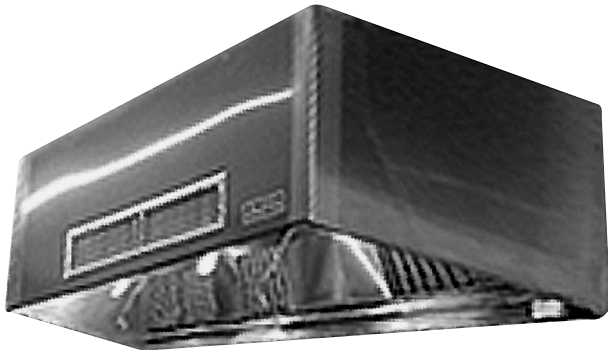
# W 通風系統 WIN HOOD AND DUCT



WH Series / Item# \_\_\_\_\_



## Hood Specifications:



N.F.P.A Code 96 Approved

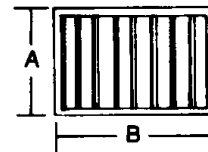
Length (Feet)	Width (Feet)	Number of Filters	Exhaust C.F.M.	Make-up C.F.M.	Duct Opening sq. in. (Approx.)
10	4	10	3520	2920	252
15	4	8	5280	4380	378
20	4	12	7040	5840	504
22	4	13	7750	6430	554
24	4	14	8450	7010	605
26	4	15	9160	7600	600
28	4	16	9860	8180	698

## Grease Filters - Baffle type

- Safe, Dependable positive flame barrier protection
- Replaces conventional mesh type filters
- Meets insurance requirements
- Easy to install and remove with drop handles
- Self-draining - Easy to clean
- Add "L" for locking handles

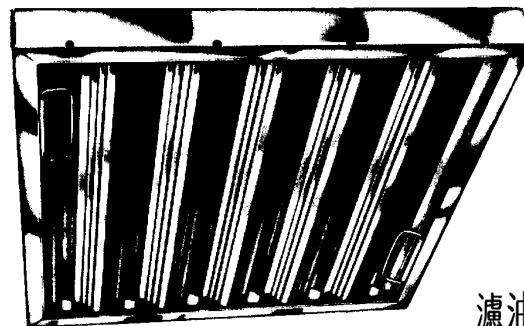


EASY INSTALLATION



GALVANIZED STEEL  
STAINLESS STEEL

Size	Galvanized Steel	Stainless Steel
16x20	W1S519	W1S517
16x25	W1S518	W1S516
20x20	W1S077	W1S078
20x25	W1S076	W1S075



濾油網

The manufacturer reserves the rights to modify materials and specifications without notice.

# W 通風系統 WIN HOOD AND DUCT



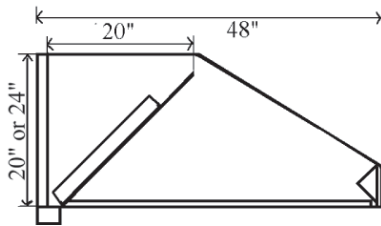
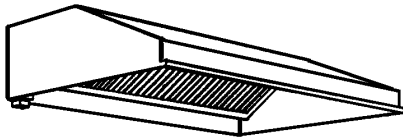
WH Series / Item# \_\_\_\_\_



## Angled Front Hood

Model: WHA (*Exhaust only*)

- NSF Sanitation & NFPA Code 96 approved.
- 430-18 ga. Exterior



## 僅排氣式煙罩

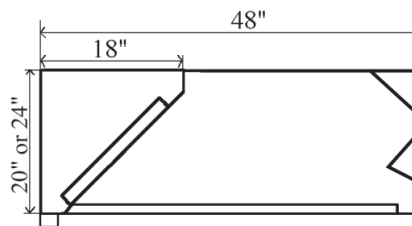
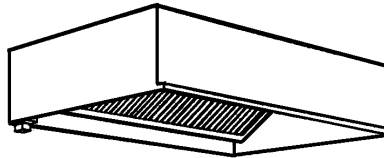
型號：WHA

- 經濟實惠
- 已獲 NSF Sanitation 和 NFPA Code 批准
- 430-18 ga. Exterior

## Box Hood

Model: WHB (*Exhaust only*)

- NSF Sanitation & NFPA Code 96 approved.
- 430-18 ga. Exterior



## 僅排氣式煙罩

型號：WHB

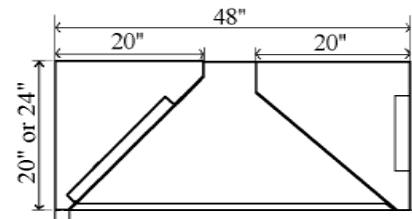
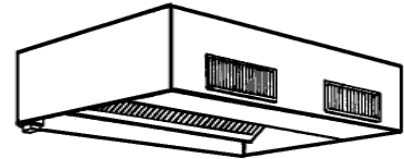
- 堅固耐用
- 已獲 NSF Sanitation 和 NFPA Code 批准

## Make-up Air Hood

Model: WHBS

(*Exhaust with make-up air*)

- NSF Sanitation & NFPA Code 96 approved.
- 430-18 ga. Exterior



## 排氣聯回風式煙罩

型號：WHBS

- 質量傑出
- 已獲 NSF Sanitation 和 NFPA Code 批准

The manufacturer reserves the rights to modify materials and specifications without notice.