



NSF International Documentation Report

1. General Information

A. General Description of Equipment Chinese stove

B. Model Number(s):	<u>WR-100</u>	<u>WR-200</u>	<u>WR-300</u>
<u>WR-400</u>	<u>WR-500</u>	<u>WR-600</u>	<u>WR-700</u>
<u>WR-800</u>	<u>WR-900</u>	<u>WR-1000</u>	<u>WR-**00</u>
<u> </u>	<u> </u>	<u> </u>	<u> </u>
<u> </u>	<u> </u>	<u> </u>	<u> </u>

C. Description of model Differences (Including A available options).

Model#	No. of Burners	Appro. W X H	Appro. Length	BTU / Hr.	Ship. Wgt.(lbs)
WR-100	1	45"X33"	30"	100,000	400
WR-200	2	45"X33"	54"	200,000	800
WR-300	3	45"X33"	78"	300,000	1200
WR-400	4	45"X33"	110"	400,000	1450
WR-500	5	45"X33"	141"	500,000	1800
WR-600	6	45"X33"	165"	600,000	2100
WR-700	7	45"X33"	181"	700,000	2500
WR-800	8	45"X33"	204"	800,000	3100
WR-900	9	45"X33"	235"	900,000	3600
WR-1000	10	45"X33"	244"	1,000,000	4050
WR-**00	**	45"X33"	Customise		

D. Intended end Use (if applicable): Commercial Cooking

E. Use Limitation (if applicable):



CHINESE STOVE

(Without Wash Deck Assembly)

WR- ** 00 SERIES

** = No. of Burners

(Shown: WR-600)

Optional:



STANDARD FEATURES :

- ◇ Heavy-duty construction ensures durability.
- ◇ Easy access manually controlled swing faucet.
- ◇ Water-cooled top help control stove top temperature.
- ◇ Stainless steel front, pipe rack, and splash.
- ◇ Standard models available with up to ten chambers.
- ◇ Front gas 1½" manifold to each burner.
- ◇ One year limited warranty.
- ◇ Optional: AGA certified, NSF approved, MEA listed.

OPTIONS :

- ◇ All models may have 13", 16", 18", 20", 22" diameter chamber.
- ◇ Three burner types are available: ring-burner, circular jet-burner, and duck jet-burner.
- ◇ Four waste drain styles are available: surface, traditional, drawer, and channel style.
- ◇ Custom models are available to meet your needs.
- ◇ Natural or propane gas.



STANDARD 004

CHINESE STOVE

(Without Wash Deck Assembly)

(Shown: WR-600)

FRONT VIEW

Optional:





STANDARD 004

CHINESE STOVE

(Without Wash Deck Assembly)

Optional:



MEA
499-90E

SIDE VIEW





STANDARD 004

CHINESE STOVE

(Without Wash Deck Assembly)

(Shown: WR-100)

BACK VIEW

Optional:



MEA
499-90E





STANDARD 004

CHINESE STOVE
(Without Wash Deck Assembly)
BOTTOM VIEW

Optional:





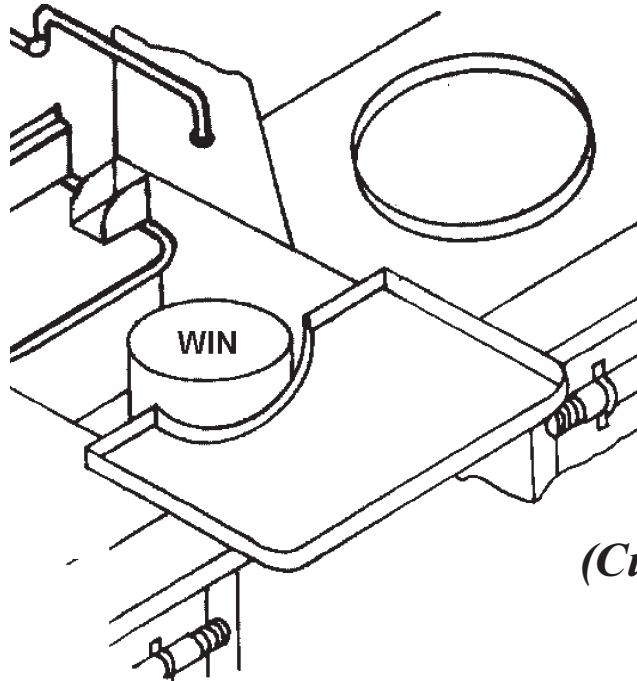
STANDARD 002



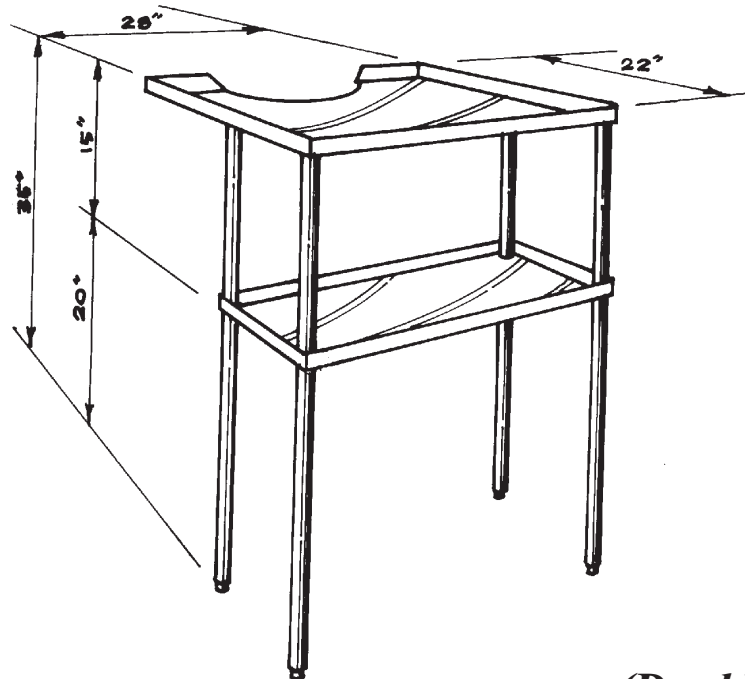
Accessories

CUSTOM SPICE TRAY

(*will provide picture later)



(Custom Spice Tray)



(Double Spice Shelf)



Food Zone Parts List

Parts Description	Parts Number	Maximum Food Contact Area	Total Surface Area	Material Type Including Metal Alloy	Material Supplier (Non- Metallic)	Foundation ID. Number	Color	MFCR DCC # or Policy or Listed Std.