



NSF International Documentation Report

1.General Information

A. General Description of Equipment Custom Tea urn stand

B. Model Number(s): Custom tea urn stand _____

C. Description of model Differences (Including A available options). _____

	Ship. Wgt. (Lbs.)
Length	24" Wide ,Open Base
48"	225
60"	250
72"	280
84"	305
96"	330
**	Custom lenght

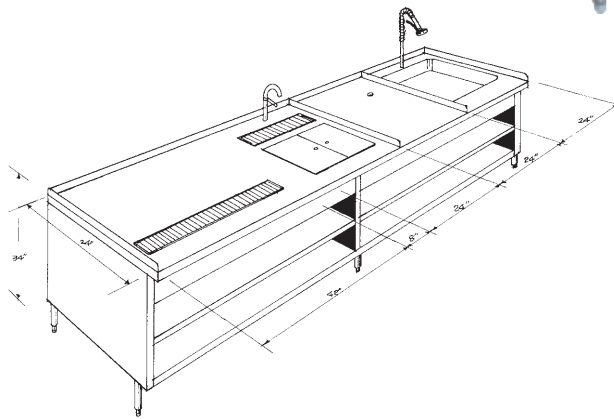
D. Intended end Use (if applicable): _____

E. Use Limitation (if applicable): _____

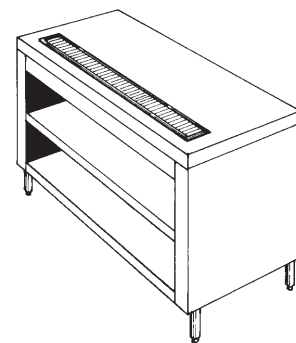


TEA URN STAND

A: *Water Station & Tea Urn Table Combination*



C: *Water Station & Tea Urn Table Combination*



B: *Tea Urn Table*

.....

FEATURES :

- ◇ Heavy-duty stainless steel all welded construction.
- ◇ Optional stainless steel utility shelf.
- ◇ Optional stainless steel lower shelf and/or cutlery drawer.
- ◇ Easy to install multi-purpose unit.



STANDARD 002



TEA URN STAND
FRONT VIEW of A





STANDARD 002



TEA URN STAND
Deep Drawn Sink





STANDARD 002



TEA URN STAND
Urn Trough





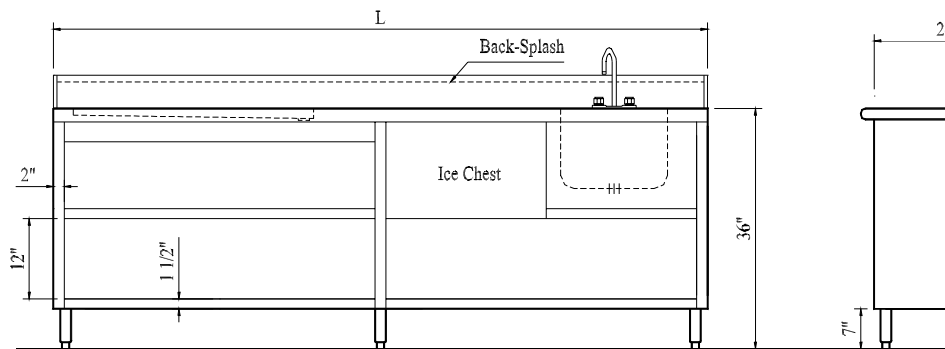
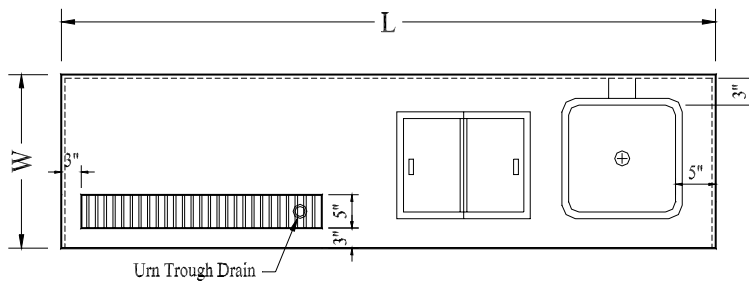
STANDARD 002



TEA URN STAND

C Style: Approximate Dimensions:

TOP VIEW



FRONT VIEW

SIDE VIEW

Food Zone Parts List

Parts Description	Parts Number	Maximum Food Contact Area	Total Surface Area	Material Type Including Metal Alloy	Material Supplier (Non- Metallic)	Foundation ID. Number	Color	MFCR DCC # or Policy or Listed Std.

