



# NSF International Documentation Report

## 1. General Information

### A. General Description of Equipment

Steam Table    **WST-\*\*\***

### B. Model Number(s):

**WST-300**

**WST-400**

**WST-500**

**WST-600**

**WST-700**

**WST-800**

**WST-900**

**WST-\*\*\***

### C. Description of model Differences (Including A available options).

Model#	Gas Inlet: 3/4"		Water Drainage: 1-1/2"			
	Top Opening		Appro. Length	Burner	BTU Rating	Ship. Wgt.(lbs)
	Rec. Shaped	Cir. Shaped				
	2	6	36"	1	20,000	200
<b>WST-300</b>	3	8	48"	1	20,000	250
<b>WST-400</b>	4	8	60"	1	20,000	300
<b>WST-500</b>	5	10	72"	1	26,000	350
<b>WST-600</b>	6	12	84"	1	26,000	400
<b>WST-700</b>	7	14	96"	2	40,000	475
<b>WST-800</b>	8	16	108"	2	40,000	575
<b>WST-900</b>	9	18	120"	2	52,000	675
<b>WST-***</b>	Customise		***	Customise		

### D. Intended end Use ( if applicable):

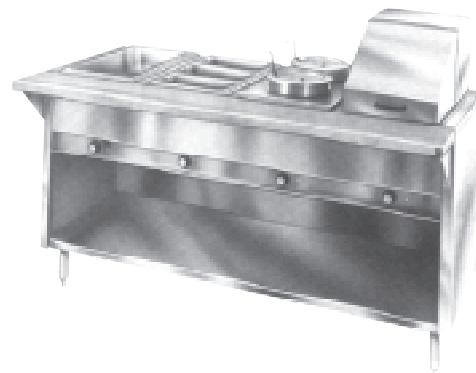
### E. Use Limitation (if applicable):



STANDARD 004

# STEAM TABLES

Optional:



.....

## **STANDARD FEATURES :**

- ◇ All welded stainless steel construction.
- ◇ Standing pilot for instant lighting.
- ◇ Standard models available with up to twelve feet wide.
- ◇ One year limited warranty.

## **OPTIONS :**

- ◇ AGA certified, NSF approved, MEA listed.
- ◇ All models may have rectangular or circular shaped opening on the top, the opening dia. may vary, depend on the size of inset.

- ◇ Safety gas valve for safety.
- ◇ Custom models are available to meet your needs.
- ◇ Natural or propane gas.

## **GAS REQUIREMENTS :**

- ◇ Manifold Pressure:  
5.0" W.C. Natural Gas  
10.0" W.C. Propane Gas
- ◇ Manifold Size: 3/4"



STANDARD 004

# STEAM TABLES

**FRONT VIEW**

Optional:





STANDARD 004

# STEAM TABLES

**SIDE VIEW**

Optional:



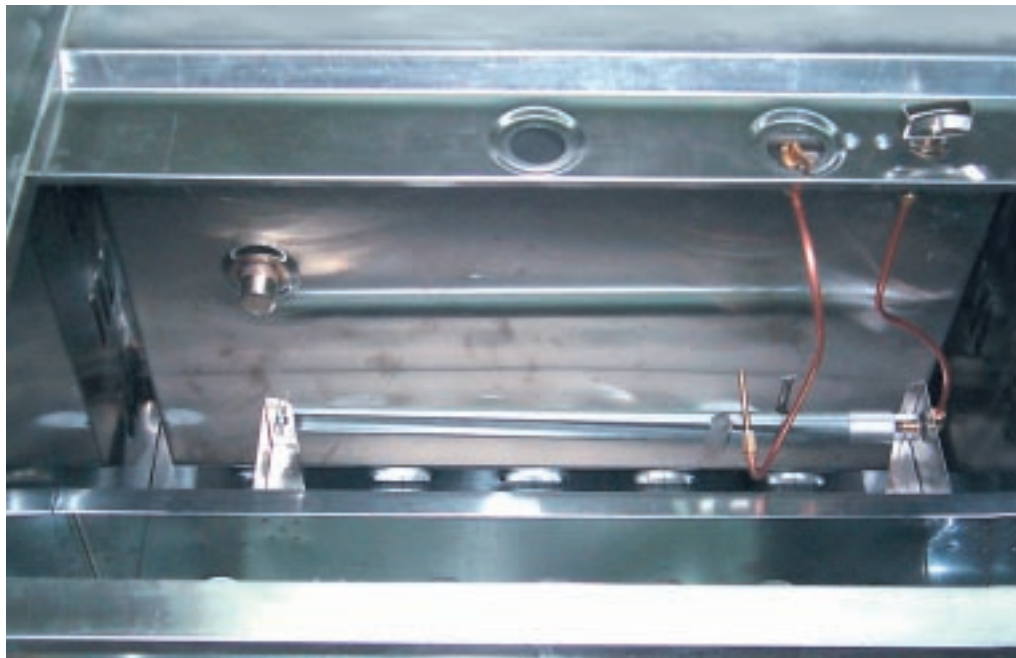


STANDARD 004

# STEAM TABLES

INSIDE VIEW

Optional:





# STEAM TABLES

**BACK VIEW**

Optional:



STANDARD 004

499-90E



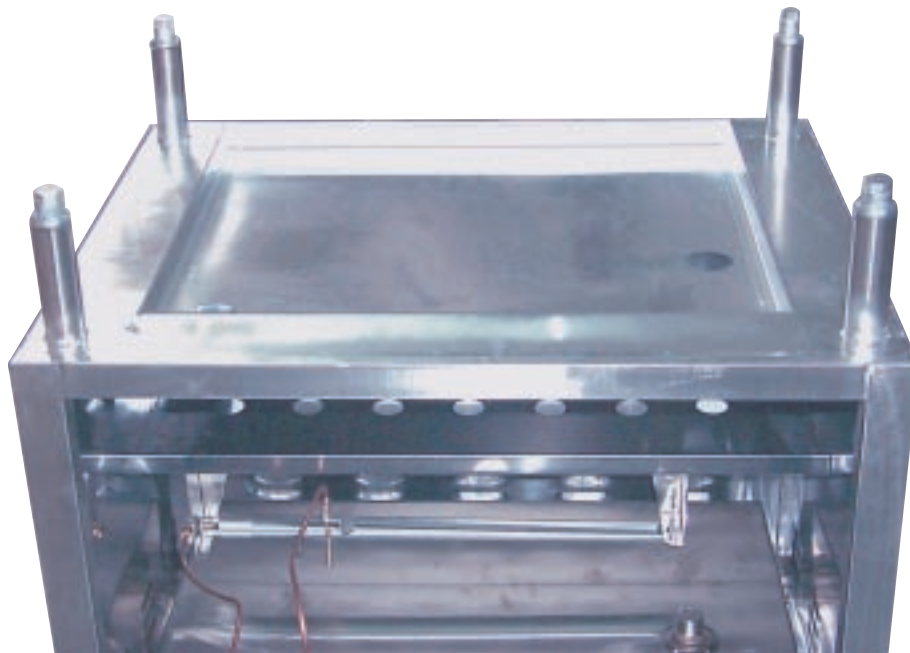


# STEAM TABLES

## BOTTOM VIEW

STANDARD 004

Optional:





## Food Zone Parts List

Parts Description	Parts Number	Maximum Food Contact Area	Total Surface Area	Material Type Including Metal Alloy	Material Supplier (Non- Metallic)	Foundation ID. Number	Color	MFCR DCC # or Policy or Listed Std.