



# NSF International Documentation Report

## 1. General Information

**A. General Description of Equipment** Mongolian BBQ WBQ-1-\* WBQ-2-\*

<b>B. Model Number(s):</b>	<u>WBQ-1-2</u>	<u>WBQ-1-3</u>	<u>WBQ-1-4</u>
	<u>WBQ-1-5</u>	<u>WBQ-1-6</u>	<u>WBQ-1-*CUSTOMISED</u>
	<u>WBQ-2-2</u>	<u>WBQ-2-3</u>	<u>WBQ-2-4</u>
	<u>WBQ-2-5</u>		<u>WBQ-2-5</u>
	<u>WBQ-2-*CUSTOMISED</u>		

**C. Description of model Differences (Including A available options).** \_\_\_\_\_

Model	Height	Width	Model	Height	Width
WBQ-1-2	37"	24"	WBQ-2-2	24"	24"
WBQ-1-3	37"	48"	WBQ-2-3	24"	36"
WBQ-1-4	37"	54"	WBQ-2-4	24"	48"
WBQ-1-5	37"	60"	WBQ-2-5	24"	60"
WBQ-1-6	37"	72"	WBQ-2-*	CUSTOMISED	
WBQ-1-*	CUSTOMISED				

**D. Intended end Use (if applicable):** \_\_\_\_\_  
 \_\_\_\_\_  
 \_\_\_\_\_

**E. Use Limitation (if applicable):** \_\_\_\_\_  
 \_\_\_\_\_



STANDARD 004

Optional:



# MONGOLIAN BBQ

## WBQ SERIES

(Shown: WBQ-1-3)



---

## **FEATURES :**

- ◇ Attractive & heavy-duty barbecue for exhibition cooking.
- ◇ Available with 36",42",48" and 60" diameter, polished 1/4" griddle plate.
- ◇ Stainless steel gutter surrounds griddle plate for easy cleaning.
- ◇ "L"- Shaped handle for easy temperature control.
- ◇ Sturdy, stainless steel adjustable legs.
- ◇ Heavy-duty combustion chamber, equipped with 120,000 to 300,000 BTU duck burner.
- ◇ NSF Approved or regular model; Equipped with safety valves, acceptable for use in all states.



STANDARD 004

Optional: 

**MONGOLIAN BBQ**  
**WBQ SERIES**  
**INSIDE VIEW**





STANDARD 004

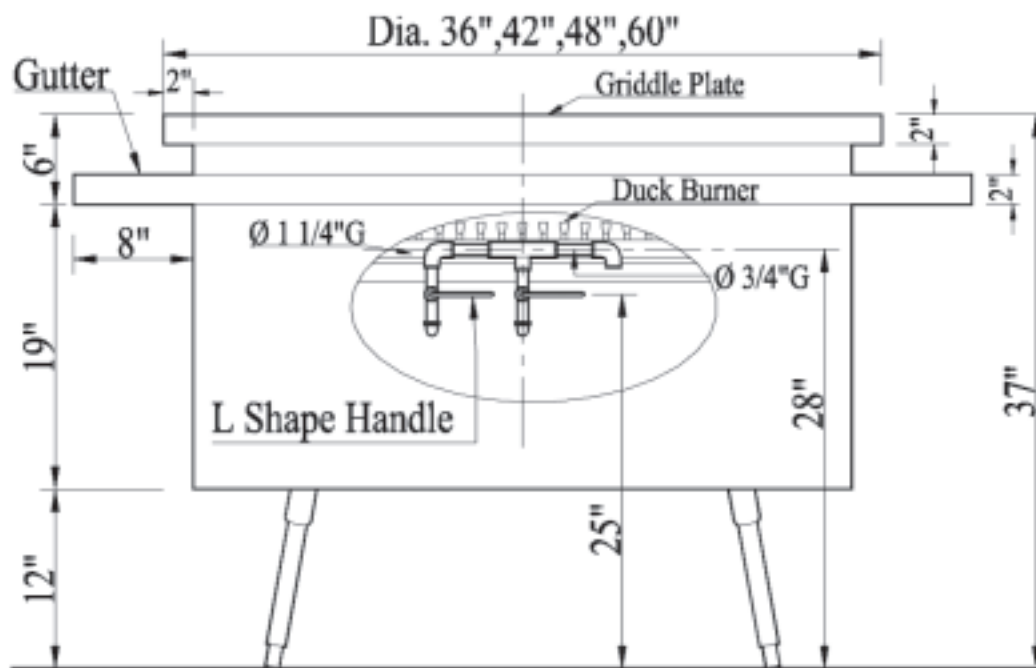
Optional:



# MONGOLIAN BBQ

## WBQ SERIES

Approximate Dimensions:



## Food Zone Parts List

Parts Description	Parts Number	Maximum Food Contact Area	Total Surface Area	Material Type Including Metal Alloy	Material Supplier (Non- Metallic)	Foundation ID. Number	Color	MFCR DCC # or Policy or Listed Std.

