



# NSF International Documentation Report

## 1. General Information

### A. General Description of Equipment

Cold Tables WBCT-\*

### B. Model Number(s):

WBCT-300

WBCT-400

WBCT-500

WBCT-600

WBCT-700

WBCT-800

WBCT-900

WBCT-1000

WBCT-\*

### C. Description of model Differences (Including A available options).

Model No.	Size		12"x20" Pan Capacity	Cut Out Size		HP		Volts	(A)
	L	D		L	D	A*	B*		
WBCT- 300	43"	24"	3	41-1/2"	22-1/2"	1/4	1/4	110/60/1	
WBCT- 400	56"	24"	4	54-1/2"	22-1/2"	1/4	1/3	110/60/1	
WBCT -500	69"	24"	5	67-1/2"	22-1/2"	1/4	1/3	110/60/1	
WBCT- 600	82"	24"	6	80-1/2"	22-1/2"	1/4	1/3	110/60/1	
WBCT- 700	95"	24"	7	93-1/2"	22-1/2"	1/4	1/2	110/60/1	
WBCT- 800	108"	24"	8	106-1/2"	22-1/2"	1/4	1/2	110/60/1	
WBCT- 900	121"	24"	9	119-1/2"	22-1/2"	1/3	3/4	208/60/1	
WBCT-1000	134"	24"	10	132-1/2"	22-1/2"	1/3	3/4	208/60/1	
CUSTOMIESD									

\* A--Standard HP; B---Optional HP.

\*\* Outside dimension may be varied by 1/2"

\*\*\* The condensers are provided by TECUMSEH, specification are furnished upon requirement.

\*\*\*\* R22 model are also available.

### D. Intended end Use ( if applicable):

### E. Use Limitation (if applicable):



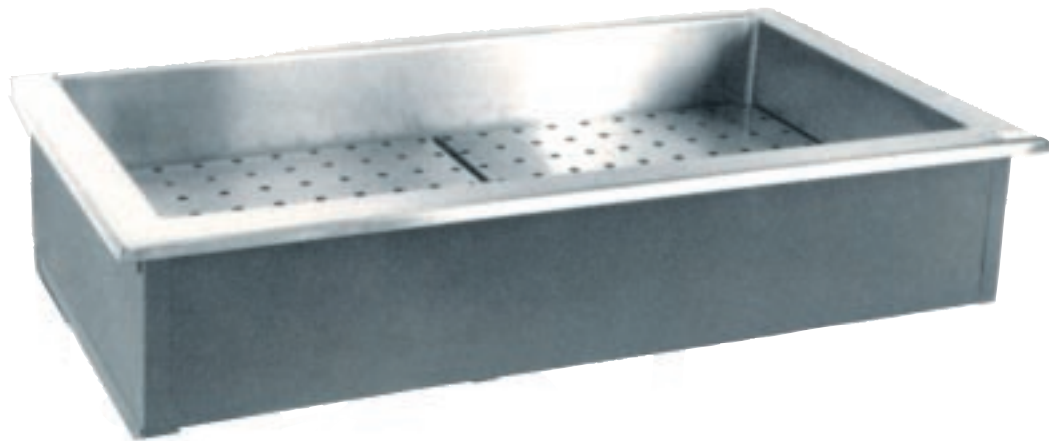
STANDARD 002



# COLD TABLES

SELF-CONTAINED

## WBCT-\* SERIES



### **SPECIFICATIONS :**

Drop-in, self-contained, refrigerated display cold pan. Top and interior to be one piece, continuously welded construction of 18 gauge #304 #430 stainless steel #3 finish. Interior fitted with 1" drain at one end. Drain nipple supplied with gate valve. 1" high-perforated stainless steel bottom strainer plates provided. Exterior to be corrosion resistant steel. Insulation to be high-density polyurethane, foamed in place. Condensing unit mounted on corrosion resistant framework, suspended below unit body. Unit interior bottom wrapped with refrigerating lines. Studs fitted to each corner for drawing unit down tight against

countertop. Controls and expansion valve supplied and installed. 6' cordset (NEMA5-15P) supplied for 120V operation.

### **FEATURES :**

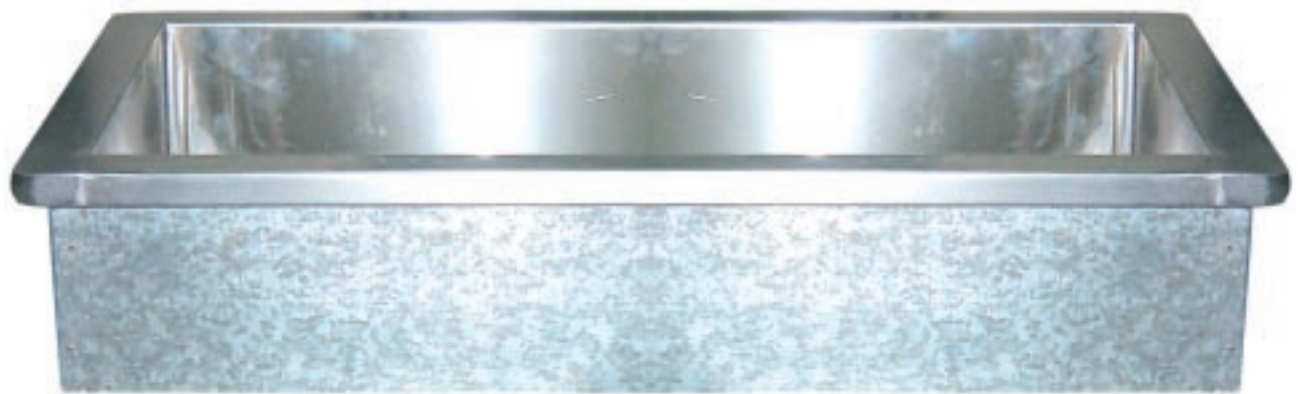
- All stainless steel top and interior—one piece.
- Drain, gate valve, and cordset provided.
- Stainless, perforated bottom strainer plates provided.
- Self-contained, refrigerated unit for cold display with or without ice.
- Custom size available.
- HFC-134a refrigerant, "CFC free".



STANDARD 002



**C****COLD TABLES**  
**SELF-CONTAINED**      **WBCT SERIES**  
**FRONT VIEW**





STANDARD 002

**C****OLD TABLES**  
**SELF-CONTAINED**  
**TOP VIEW**

**WBCT SERIES**





STANDARD 002

# COLD TABLES

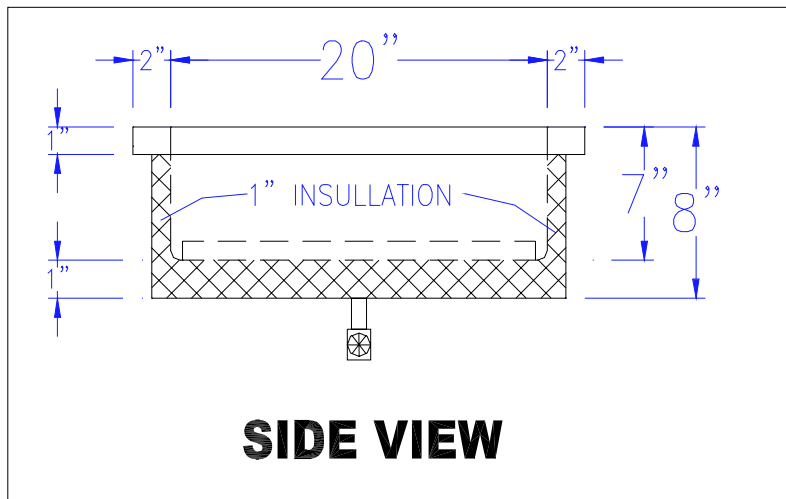
SELF-CONTAINED

WBCT SERIES



SIDE VIEW

SIDE SECTION





STANDARD 002



# COLD TABLES

**SELF-CONTAINED      WBCT SERIES**

**BOTTOM VIEW**





## Food Zone Parts List

Parts Description	Parts Number	Maximum Food Contact Area	Total Surface Area	Material Type Including Metal Alloy	Material Supplier (Non- Metallic)	Foundation ID. Number	Color	MFCR DCC # or Policy or Listed Std.