

Restaurant Equipment

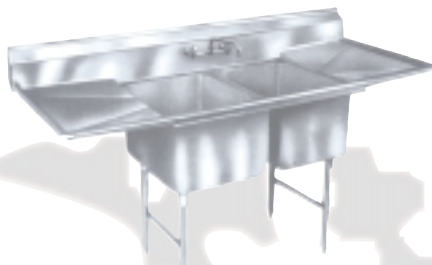
14" Deep S/S Corner Cover Sinks. NSF 14吋深不鏽鋼圓角水盆

FEATURES/BENEFITS

• 16 gauge stainless steel construction - bowls are type 304; drainboards & backsplash are type 430. • Deep-drawn seamless covered corner bowls. • 14" water level. • Swirlaway drainage. • Legs welded to channels under bowls for maximum weight support and stability. • Adjustable non-corrosive bullet feet.







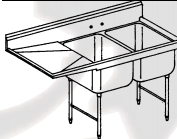

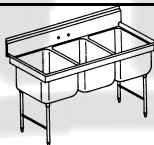


414-24-1-24R+L



414-24-2-24R+L



414-22-3-24R+L

Description NSF Sink	Model	/ Faucet Each(\$)	Bowl/S W"xL"	O.A./S W"xL"	Faucet \$"/fea.
	1 COMP. 414-16-1	310	19" x 16"	26" x 22"	35/6"/1
	414-22-1	370	22" x 22"	29" x 28"	35/8"/1
	1 COMP. W/ 1 DB. 414-16-1-24R/L	500	19" x 16"	26" x 44"	35/6"/1
	414-22-1-24R/L	510	22" x 22"	29" x 50"	35/8"/1
	414-24-1-24R/L	510	24" x 24"	31" x 54"	35/8"/1
	1 COMP. W/ 2 DB. 414-16-1-18R+L	500	19" x 16"	26" x 54"	35/6"/1
	414-16-1-24R+L	510	19" x 16"	26" x 66"	35/6"/1
	414-22-1-24R+L	610	22" x 22"	29" x 72"	35/8"/1
	414-24-1-24R+L	560	24" x 24"	31" x 77"	35/8"/1
	2 COMP. 414-16-2	460	19" x 16"	26" x 40"	35/6"/1
	414-22-2	620	22" x 22"	29" x 52"	35/8"/1
	414-24-2	660	24" x 24"	31" x 56"	35/8"/1
	2 COMP. W/ 1 DB. 414-16-2-18R/L	600	19" x 16"	26" x 56"	35/6"/1
	414-16-2-24R/L	650	19" x 16"	26" x 62"	35/6"/1
	414-22-2-24R/L	740	22" x 22"	29" x 74"	35/8"/1
	414-24-2-24R/L	750	24" x 24"	31" x 80"	35/8"/1
	2 COMP. W/ 2 DB. 414-16-2-18R+L	620	19" x 16"	26" x 72"	35/6"/1
	414-16-2-24R+L	680	19" x 16"	26" x 84"	35/6"/1
	414-22-2-24R+L	760	22" x 22"	29" x 96"	35/8"/1
	414-24-2-24R+L	770	24" x 24"	31" x 103"	35/8"/1
	3 COMP. 414-16-3	600	19" x 16"	26" x 58"	70/6"/2
	414-22-3	760	22" x 22"	29" x 76"	70/6"/2
	414-24-3	780	24" x 24"	31" x 82"	70/6"/2
	3 COMP. W/ 1 DB. 414-16-3-18R/L	680	19" x 16"	26" x 74"	70/6"/2
	414-16--24R/L	720	19" x 16"	26" x 80"	70/6"/2
	414-22-3-24R/L	870	22" x 22"	29" x 98"	70/8"/2
	414-24-3-24R/L	890	24" x 24"	31" x 106"	70/8"/2
	3 COMP. W/ 2 DB. 414-16-3-18R+L	650	19" x 16"	26" x 90"	70/6"/2
	414-16-3-24R+L	700	19" x 16"	26" x 102"	70/6"/2
	414-22-3-24R+L	840	22" x 22"	29" x 120"	70/8"/2

Hand Sinks & Mop Sinks 洗手盆及拖地盆

HAND SINK FEATURES/BENEFITS

• Narrow width to allow for better use of space. • Heavy gauge type 304 18-8 series stainless steel. • Inverted "V" edge rim retards spillage. • Unique deep-drawn positive-drain oval bowl assures complete drainage to meet the most stringent health code requirements. • 2 models to choose from.

MOP SINK FEATURES/BENEFITS

• Floor mount design for the ultimate in sanitation. • All stainless steel construction provide long life and easy maintenance. • Superior to other material finishes. • Exclusive anti-splash double-offset "V" edge retards spillage. • Deep drawn seamless sink bowl with 8" water level.



Hand Sink
HSA-10-F



Mop Sink
F1916

Model	Bowl/S W"xL"	O.A./S W"xL"	/ Faucet Each(\$)
HAS-10-F Basket Drain	10"x14"	15"x19"	173
HASN-10-F Space Saver	14"x10"	18"x12"	213
F1916 (NSF) Plastic Mop Sink	16"x19"	4.5"x21.5"	503
			26